

## **PA0060: Air Valve Solenoid**

### **Description**

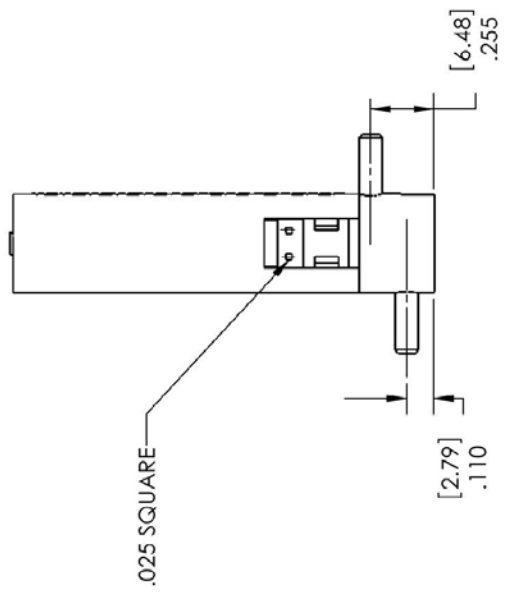
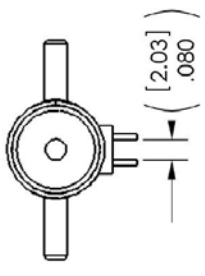
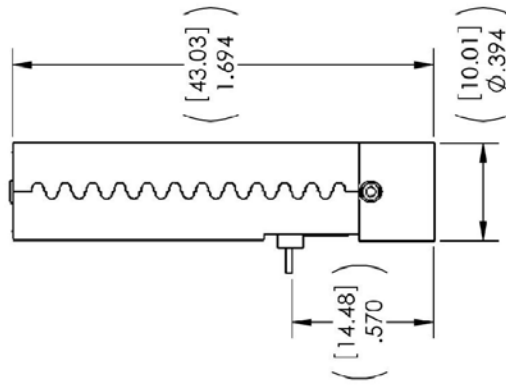
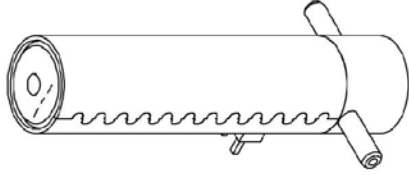
This is an ultra small solenoid air valve design suitable for a variety of low pressure applications. This design is ideal for tight space, and weight, constraints.

### **Features:**

- Low power consumption
- Compact design
- Can be configured as on-off or latching operation for battery operated applications



| <b><u>Typical Specifications:</u></b> | <b><u>English</u></b> (metric as applies) |
|---------------------------------------|---|
| Resistance at 20° C                   | 25 ± 2 Ω                                  |
| Duty Rating (%ED)                     | 100%                                      |
| Orifice Size                          | 1 mm                                      |
| Supply Voltage                        | 3 VDC                                     |
| Current                               | 150 mA                                    |
| Max Pressure                          | 15 psi                                    |



|                                      |  |           |      |
|--------------------------------------|--|-----------|------|
| UNLESS OTHERWISE SPECIFIED:          |  | NAME      | DATE |
| DIMENSIONS ARE IN INCHES             |  | DRAWN     |      |
| TOLERANCES:                          |  | CHECKED   |      |
| ANGULAR: 1°                          |  | ENG APPR. |      |
| TWO PLACE DECIMAL ±.01               |  | MFG APPR. |      |
| THREE PLACE DECIMAL ±.003            |  | Q.P.A.    |      |
| INTERPRET GEOMETRIC TOLERANCING PER: |  | COMMENTS: |      |
| MATERIAL:                            |  |           |      |
| FINISH:                              |  |           |      |
| CC NOT SCALE DRAWING                 |  |           |      |

|                     |              |
|---------------------|--------------|
| TLX TECHNOLOGIES    |              |
| TITLE: AIR VALVE    |              |
| SIZE DWG. NO.       | REV          |
| <b>B</b> PA0060-WEB | <b>1</b>     |
| SCALE: 2:1          | WEIGHT:      |
|                     | SHEET 1 OF 1 |

**PROPRIETARY AND CONFIDENTIAL**  
 THE INFORMATION CONTAINED IN THIS DRAWING IS THE SOLE PROPERTY OF TLX TECHNOLOGIES, INC. IT IS TO BE USED FOR THE MANUFACTURE OF THE PART SPECIFIED HEREIN. WITHOUT THE WRITTEN PERMISSION OF TLX TECHNOLOGIES IS PROHIBITED.

