

PA0026-Computer, Desk Cabinet Locking System

Description

An example of a complete locking system including the solenoid actuator, harness, and electronic remote control operation. System is customizable to variety of security applications.

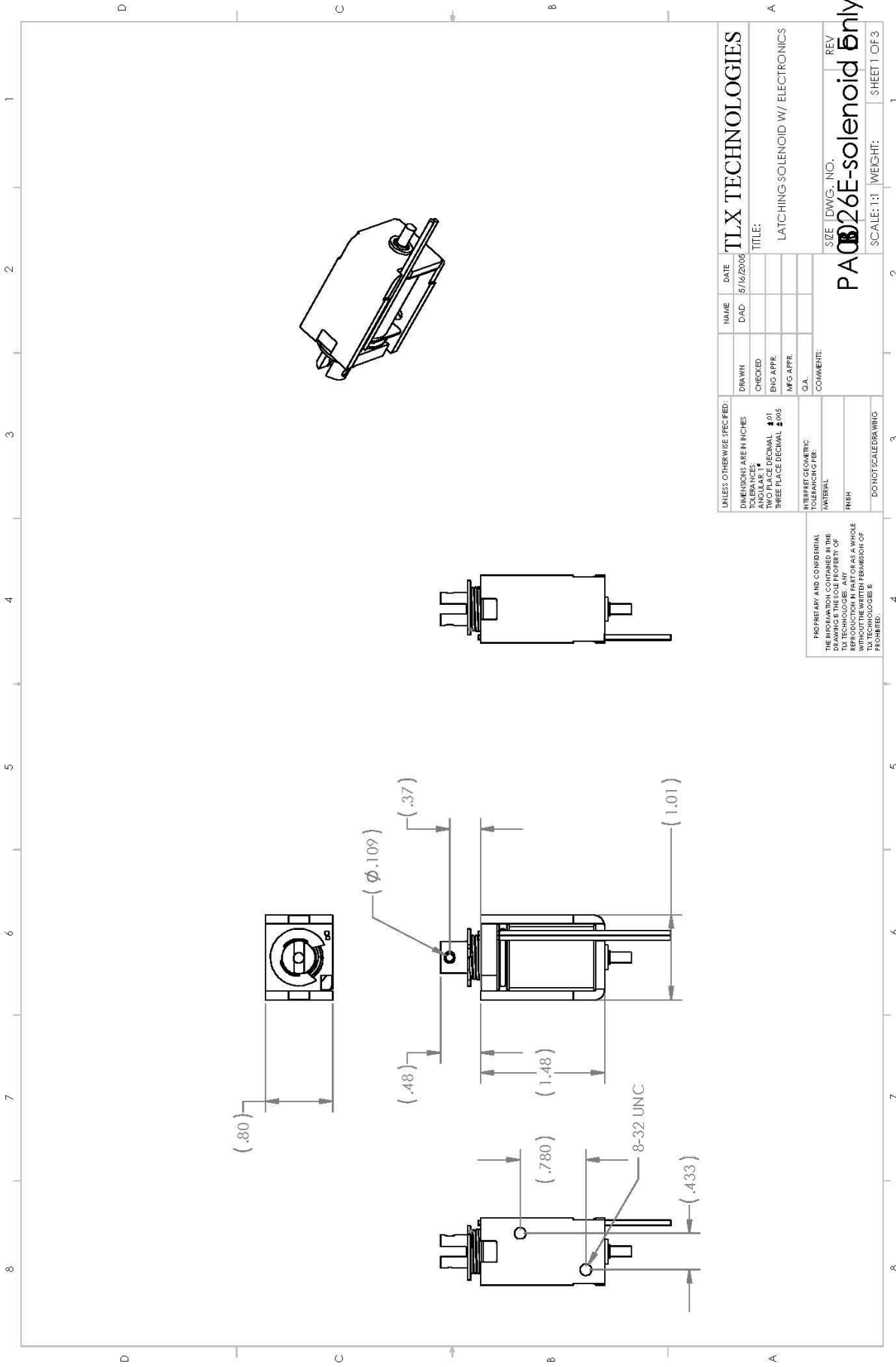
Features:

- System can be designed using any configuration of actuator
- System can be optimized to configure with customers electronic drivers
- System is completely flexible to meet any application requirements
- On-Off, or Latching AC



Specifications:

	<u>English</u> (metric as applies)
Stroke (can be designed to specification)	.5 inch max
Voltage Range	24 Volts
Resistance at 20 °C	80 Ω
Current at 24 Volt, 20°C	.30 A (reference)
Operating Temperature	To be designed to specification
Net Pull force	10 oz minimum
Spring Load (Retracted)	10 oz minimum
Connector type	As required



UNLESS OTHERWISE SPECIFIED: DIMENSIONS ARE IN INCHES TOLERANCES ANGULAR ± .1° HOLE POSITIONAL ± .010 HOLE POSITIONAL ± .015		NAME DAD	DATE 5/16/2005	TLX TECHNOLOGIES	
DRAWN	CHECKED	ENG APPR	MFG APPR	TITLE: LATCHING SOLENOID W/ ELECTRONICS	
PROPERTY AND CONFIDENTIAL INFORMATION IS CONTAINED HEREIN. THIS DRAWING IS THE SOLE PROPERTY OF TLX TECHNOLOGIES. ANY REPRODUCTION OR TRANSMISSION OF THIS DRAWING WITHOUT THE WRITTEN PERMISSION OF TLX TECHNOLOGIES IS PROHIBITED.		DRAWING NO. PA0226E		REV	
TITLE: LATCHING SOLENOID W/ ELECTRONICS		SCALE: 1:1		SHEET 1 OF 3	

PROPERTY AND CONFIDENTIAL INFORMATION IS CONTAINED HEREIN. THIS DRAWING IS THE SOLE PROPERTY OF TLX TECHNOLOGIES. ANY REPRODUCTION OR TRANSMISSION OF THIS DRAWING WITHOUT THE WRITTEN PERMISSION OF TLX TECHNOLOGIES IS PROHIBITED.

SIZE: DWG. NO. PA0226E
REV
SCALE: 1:1
SHEET 1 OF 3