

PA0020: Push Type Solenoid

Description

This product is an example of a linear on-off push-type solenoid designed to provide a relatively long stroke in a small package size. Both the stroke and the force can be designed to meet specific application requirements.

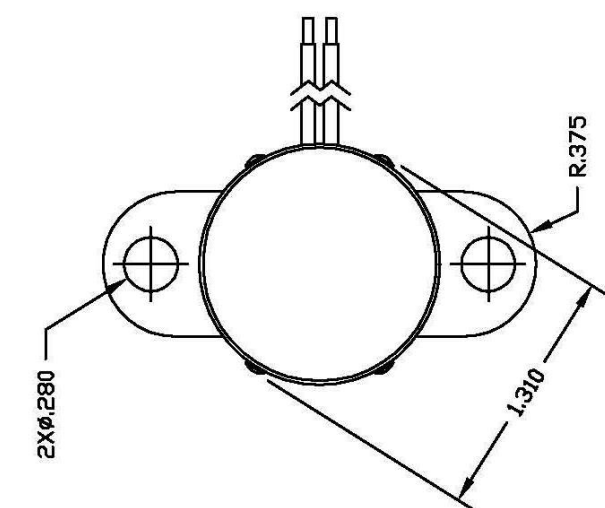
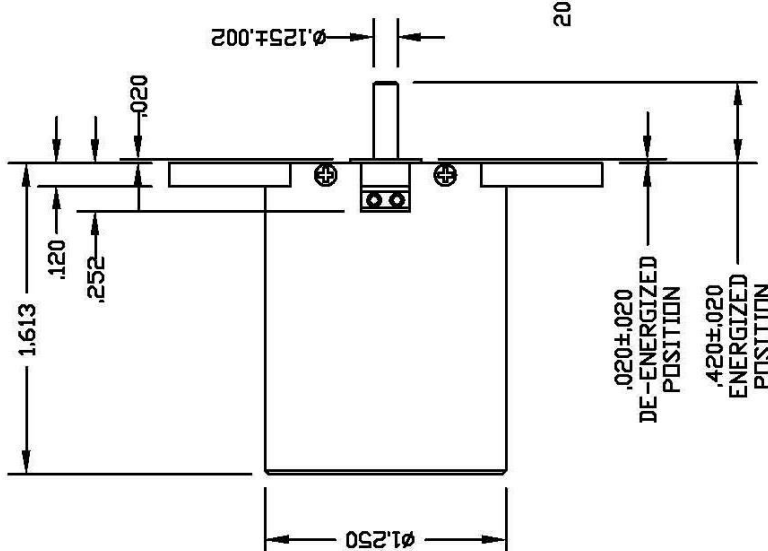
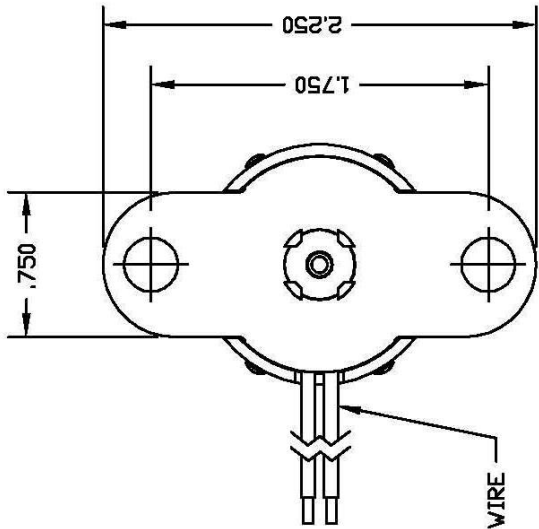
Features:

- Compact design
- Fast Response
- Can be optimized for specific force/stroke curves
- Can be optimized to configure with customer power requirements



Specifications:

	<u>English</u> (metric as applies)
Stroke (can be designed to specification)	.400"
Current	1 amp max
Resistance at 20 °C	16 Ω
Operating voltage	12-15 volts
Duty Rating (%ED)	100%
Operating temperature range	-20° C - 85° C
Cycle Life	100,000 cycles minimum



REV.	ECR	DATE	CHANGE DESCRIPTION
A	ECR-AA085	05/10/05	RELEASE
TTLX TECHNOLOGIES			
STANDARD DIMENSIONAL TERMS ARE: DIMENSIONS IN μ ARE IN μ ANGULAR DIMENSIONS ARE $\pm 1^\circ$ 1 DECIMAL POINT (0.0) IS $\pm .020$ 2 DECIMAL POINT (0.00) IS $\pm .010$ 3 DECIMAL POINT (0.000) IS $\pm .005$ 4 DECIMAL POINT (0.0000) IS $\pm .001$ G.D. & T PER ANSI 14.5M UNLESS SPECIFIED DO NOT SCALE FROM DRAWING DRAWN BY: JRW CHECK BY: JRW DATE: 01/12/06			
Description: PUSH SOLENOID			
Drawing Number: PA0020			Revision: 3

SPECIFICATIONS

OPERATING VOLTAGE:	12-15 VDC
COIL RESISTANCE@20 °C:	17.5 +/- 1.5 OHMS
STROKE:	0.40" +/- 0.020"
SPRING LOAD:	WITHOUT INTERNAL SPRING
OPERATING TEMPERATURE:	-20 C TO 85 C
DUTY CYCLE:	100%
CYCLE LIFE:	100,000 MIN.
CAD File No.	PA0020-3
Material:	Surface Treatment: Remove All Burrs.