

PA0006 – Latching Solenoid Reclosure Systems

Description:

A manually reset latching solenoid capable of holding in either position without the constant application of current. As shown, the solenoid is adapted for use in power interrupt switches and/or reclosures systems for standby power units. The unit has high holding force, is temperature stable and can release at -40C in less than 12 msec. The extremely robust design eliminates the durability failure modes exhibited by standard U-Frame designs. The size and configuration of the shown unit can be customized per the customer's requirements.



Features:

- Direct acting
- Two position latching
- Fast response time
- Large temperature range
- Durable design

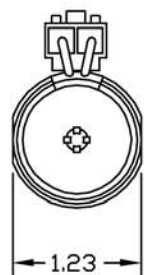
Typical Specifications:

English

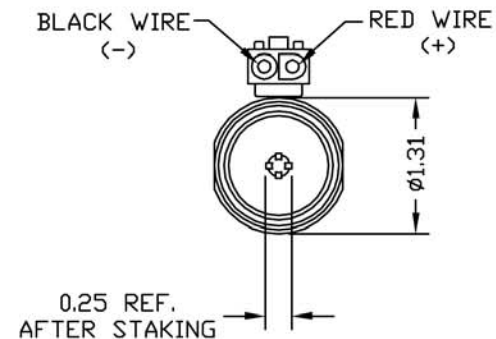
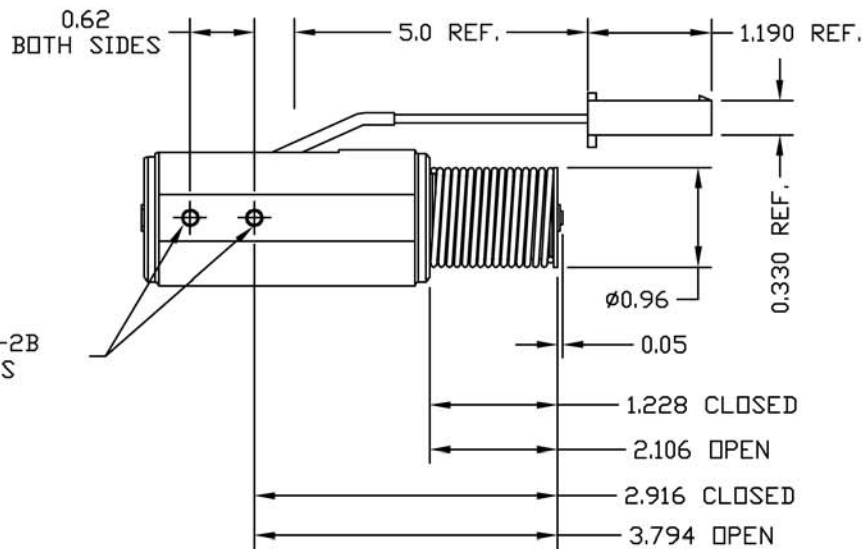
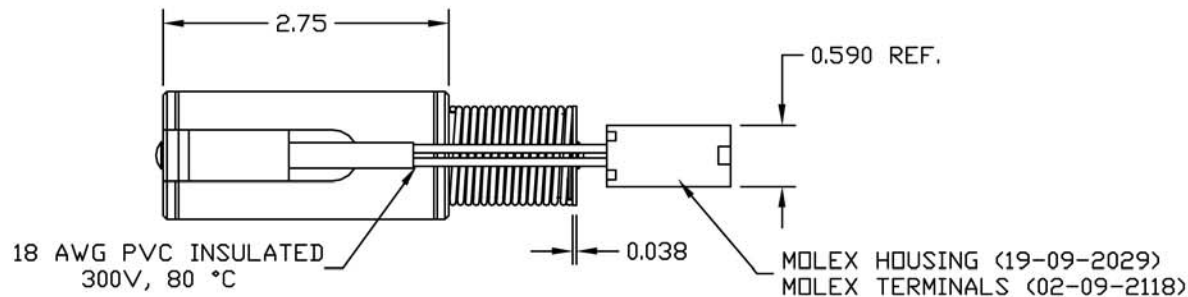
Latched / de-latched Force	13 lb ---10 min.
Stroke	.900
Response time	12 ms max
Release voltage	3.0 to 30.0 volts DC
Minimum trip energy	0.030 Joules
Temperature range	-40 to +50C
Durability	Over 100,000 actuations
Dielectric strength	1,000 VAC for 1 Second

Possible Applications:

- Power Interrupts
- Reclosure systems
- Access Systems
- Stand-by power systems
- Locks



#8-32 UNC-2B
BOTH SIDES



PERFORMANCE SPECIFICATION	
RELEASE VOLTAGE:	3 TO 30 VDC
MINIMUM TRIP ENERGY:	0.030 JOULES
COIL RESISTANCE@20 °C:	5.75+/-0.5 OHMS
STROKE:	0.8780"+/-0.025"
SPRING LOAD: (LATCHED POSITION)	13.3 +/- 1.3 LB.
NET HOLDING FORCE:	12.0 LBS. MIN.
TEMPERATURE RANGE:	-40 TO +50 °C
DIELECTRIC STRENGTH:	500 VAC FOR 1 SECOND

SPECIFICATIONS	
Material:	
Surface Treatment:	TBD
Remove All Burrs.	
CAD File No.	01007-WEB

TLX TECHNOLOGIES

STANDARD DIMENSIONAL TERMS ARE:
 DIMENSIONS IN [] ARE IN mm
 ANGULAR DIMENSIONS ARE ± 1°
 - 1 DECIMAL POINT (.0) IS ± .020
 - 2 DECIMAL POINT (.00) IS ± .010
 - 3 DECIMAL POINT (.000) IS ± .005
 - 4 DECIMAL POINT (.0000) IS ± .0001
 - G.D & T PER ANSI 14.5M
 - 125/ UNLESS SPECIFIED

THIS PRINT AND THE INFORMATION THEREIN IS CONFIDENTIAL AND PROPRIETARY AND IS THE PROPERTY OF TLX Technologies. IT IS NOT TO BE COPIED OR REPRODUCED WITHOUT WRITTEN PERMISSION OF TLX Technologies.

DRG SIZE: A SCALE: 1:2 DO NOT SCALE FROM DRAWING

Description: LATCHING SOLENOID

Drawn By:	Drawn Date:	Drawing Number:	Revision:
Chk By:	Chk Date:	01007-WEB	