

## 99027 – Solenoid for Portable Tool

### Description:

A linear on / off solenoid designed to provide long stroke and high force in a flat profile design. This design is ideal for applications driven by tight space and weight constraints. Strokes and force are flexible depending upon solenoid size.



### Features:

- Compact design
- Low cost
- Fast response
- Can be optimized for specific load shifting capability
- Can be optimized to configure with customer power requirements

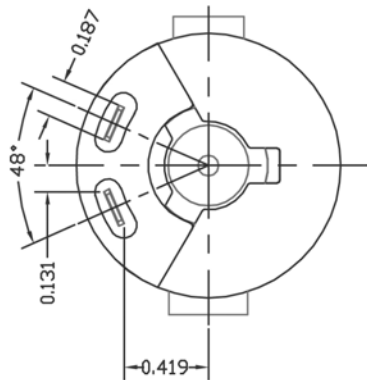
### Specifications:

### English (metric as applies)

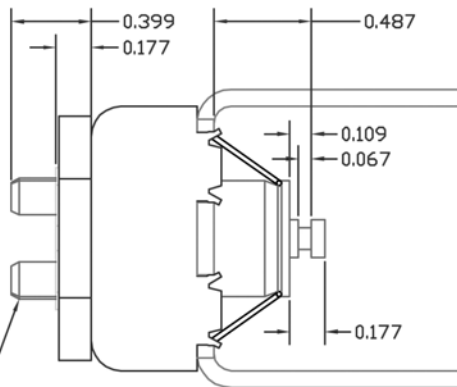
Stroke (can be designed to specification)	< 0.300 inch (< 7.6 mm)
Pull force @ 0.300 stroke	5 lbs (22 N)
Response time	< 25 msec
Supply voltage	12 or 24 DC
Duty Rating (%ED)	25 %
Operating temperature range	-40 to 300 °F (-40 to 150 °C)
Side load, maximum	0.5 lbs (2.2 N)
Durability	> 100M cycles

### Possible applications:

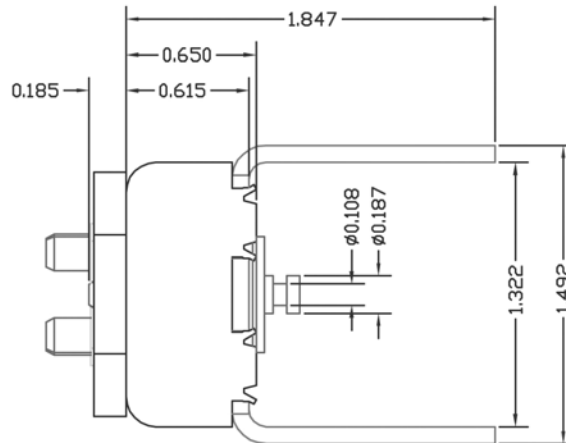
- |                        |                      |                     |
|------------------------|----------------------|---------------------|
| • Portable tools       | • Business machines  | • Vending equipment |
| • Industrial machinery | • ATM machines       | • Other             |
| • Relay control        | • Computer equipment |                     |



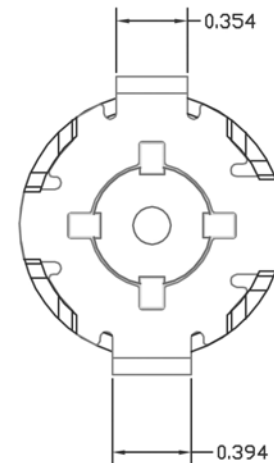
187 AMP FASTON TERMINAL  
0.020 INCHES THICK  
(MATES WITH AMP FASTON,  
PIDIG #640919)



DE-ENERGIZED



ENERGIZED



SPECIFICATIONS		TLX TECHNOLOGIES	
Material:		STANDARD DIMENSIONAL TERMS ARE: DIMENSIONS IN [ ] ARE IN mm ANGULAR DIMENSIONS ARE ± 1° - 1 DECIMAL POINT (.0) IS ± .020 2 DECIMAL POINT (.00) IS ± .010 3 DECIMAL POINT (.000) IS ± .005 4 DECIMAL POINT (.0000) IS ± .0001 - G,D & T PER ANSI 14.5M - <input checked="" type="checkbox"/> UNLESS SPECIFIED	
Surface Treatment:			
Remove All Burrs.		THIS PRINT AND THE INFORMATION THEREIN IS CONFIDENTIAL AND PROPRIETARY AND IS THE PROPERTY OF TLX Technologies. IT IS NOT TO BE COPIED OR REPRODUCED WITHOUT WRITTEN PERMISSION OF TLX Technologies.	
CAD File No.		Description	
99027-WEB		SOLENOID	
DRG SIZE		DO NOT SCALE FROM DRAWING	
A		1:1	
Drawn By:		Drawing Number	
99027-WEB		99027-WEB	
Chk By:		Revision	