

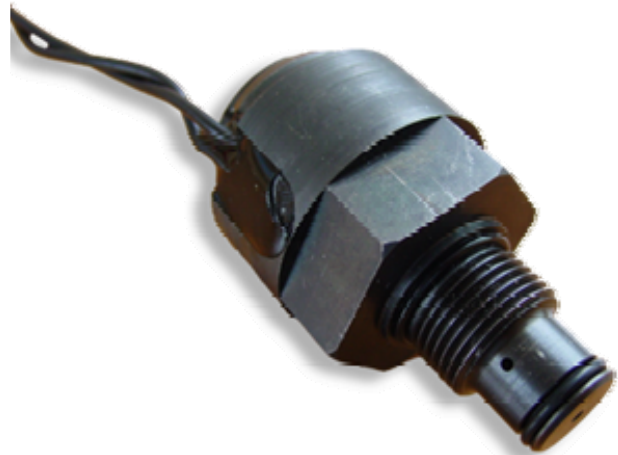
## 98012 - Proportional Pressure Relief Valve

### Description:

Direct acting, normally open, continuously variable (proportional) pressure relief valve that can be designed to operate over various pressure ranges to optimize controllability.

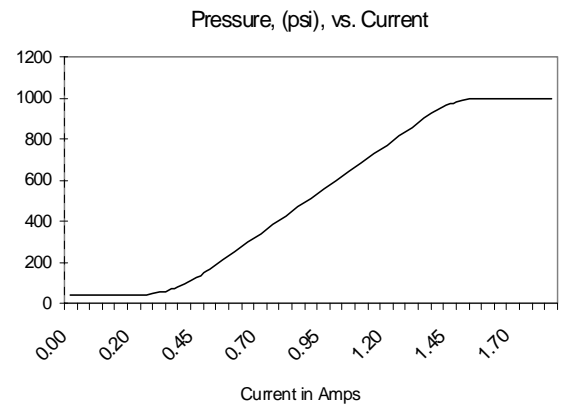
### Features:

- Low cost
- Compact design
- Fast response
- Low differential pressure in stand-by
- Can be optimized for specific pressure ranges to optimize controllability
- Can be optimized to configure with customer electronic drivers



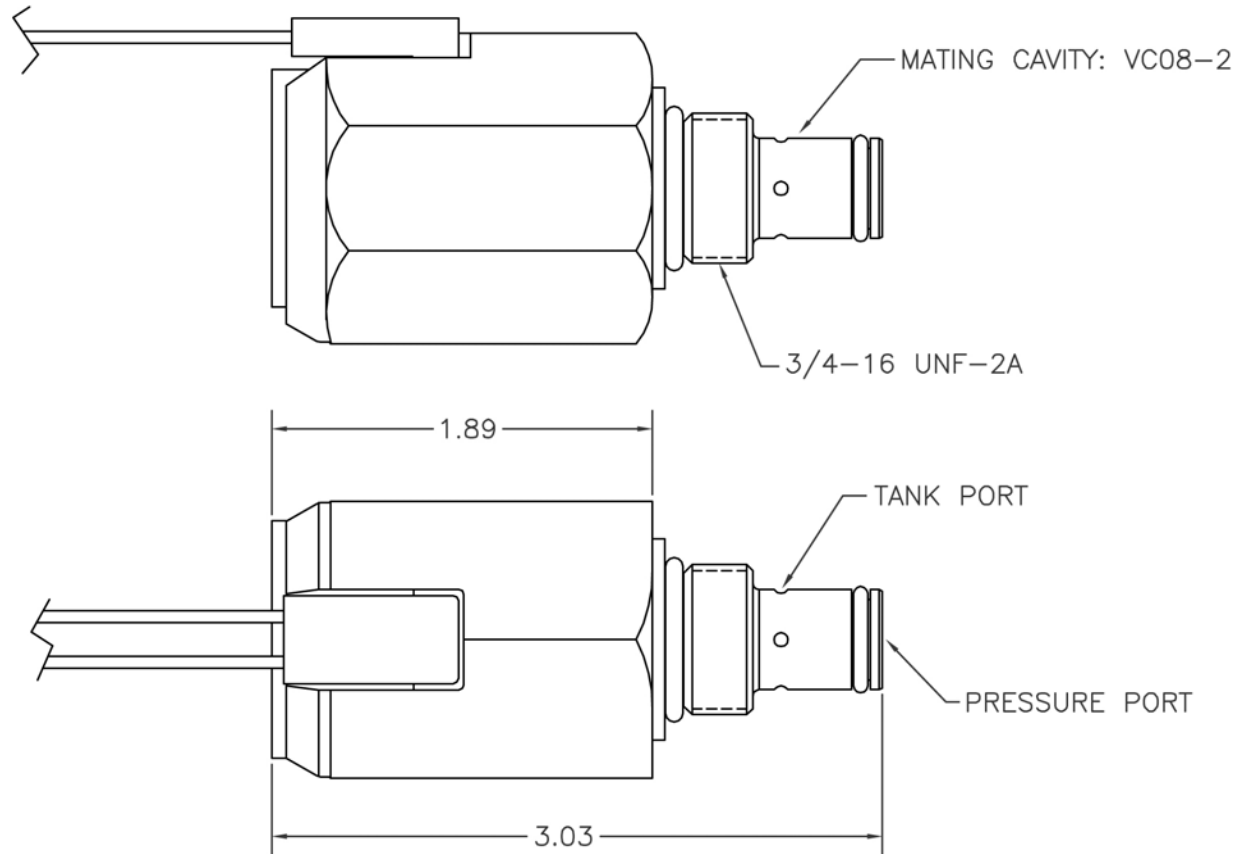
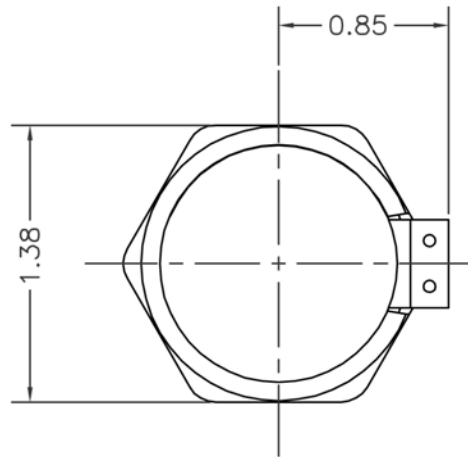
### Typical Specifications: **English** (metric as applies)

Voltage	12 or 24 VDC
Pressure hysteresis	<5%
Dither frequency	100-500 Hz
Nominal linearity	<2%
Proof Pressure "P" port	5000 psi (345 bar)
Proof Pressure "T" port	1000 psi (69 bar)
Pressure drop "P" to "T" at 1.0 gpm	<50 psi (3.4 bar)
Temperature Range	-20 to 250°F -30 to 120°C
Command Step Response	<60 ms
Connector Type	As required



### Possible applications:

- Off-highway hydraulics
- Auxiliary / PTO control
- Industrial hydraulics
- Hydraulic fan control
- Transmissions valves
- Remote pressure controls
- Industrial controls
- Other



ECO/DATE	CHANGE DESCRIPTION
----------	--------------------

PERFORMANCE SPECIFICATION	
SUPPLY VOLTAGE:	12 VDC
COIL RESISTANCE@20°C:	5.0+/-0.5 OHMS
CONTROL SIGNAL:	CURRENT CONTROLLED PWM: 0 - 1.5 AMPS
CONTROL FREQUENCY:	100 Hz
CONTROL PRESSURE:	1200 PSI MAX.
TANK PRESSURE:	500 PSI MAX.
ELECTRICAL CONNECTOR:	FLYING LEADS

SPECIFICATIONS	
Material:	
Surface Treatment:	
Remove All Burrs.	
CAD File No.	98012-WEB

# TLX TECHNOLOGIES

STANDARD DIMENSIONAL TERMS ARE:  
 DIMENSIONS IN [ ] ARE IN mm  
 ANGULAR DIMENSIONS ARE ± 1°  
 - 1 DECIMAL POINT (.0) IS ± .020  
 - 2 DECIMAL POINT (.00) IS ± .010  
 - 3 DECIMAL POINT (.000) IS ± .005  
 - 4 DECIMAL POINT (.0000) IS ± .0001  
 - G.D & T PER ANSI 14.5M  
 - <sup>125</sup> UNLESS SPECIFIED

THIS PRINT AND THE INFORMATION THEREIN IS CONFIDENTIAL AND PROPRIETARY AND IS THE PROPERTY OF TLX Technologies. IT IS NOT TO BE COPIED OR REPRODUCED WITHOUT WRITTEN PERMISSION OF TLX Technologies.

Description:  
**N/O PROPORTIONAL RELIEF VALVE**

DRG SIZE	SCALE	DO NOT SCALE FROM DRAWING
A	1:1	
Drawn By:	Drawn Date:	Drawing Number:
Chk By:	Chk Date:	98012-WEB
		Revision: