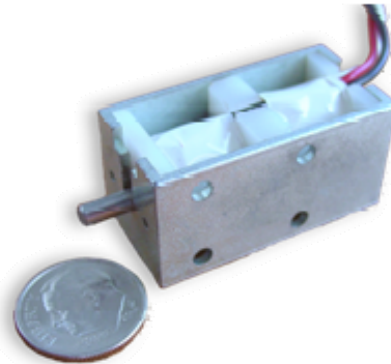


98008 – Two-Position Latching Solenoid

Description:

Dual position (permanent magnet) latching solenoid designed for use in business equipment or consumer products requiring a lock, latch or tamper proof security device. Strokes, force, voltage and package size are flexible depending upon customer requirements.



Features:

- Compact design
- Low cost
- Can be optimized for specific load shifting capability
- Can be optimized to configure with customer power requirements

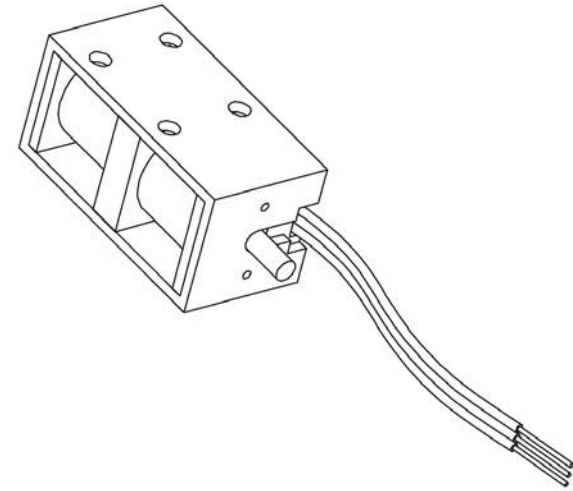
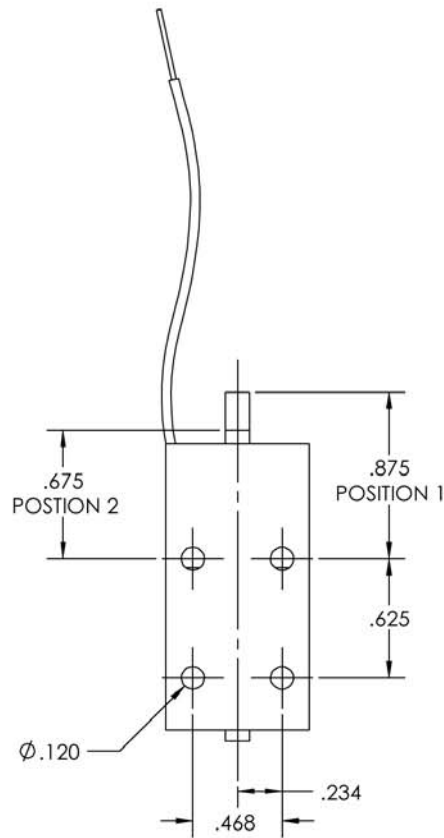
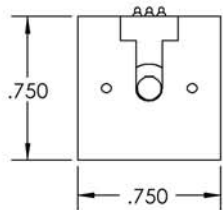
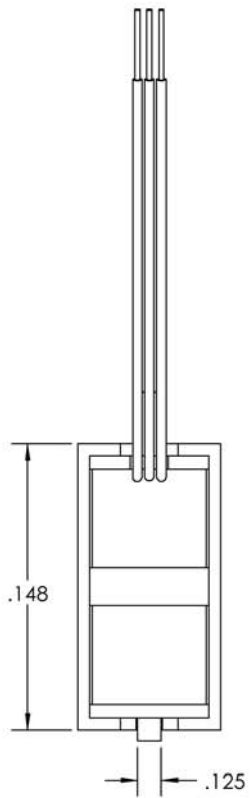
Typical Specifications:

English (metric as applies)

Stroke (can be designed to specification)	0.20 inch (5.1 mm)
Holding force	1.25 lbs (5.6 N)
Resistance at 20 °C	12 Ω
Supply voltage	12 or 24 DC
Duty Rating (%ED)	100 %
Operating temperature range	-40 to 140 °F (-40 to 60 °C)
Side load	>100 lbs (220 N)
Durability	> 100M cycles

Possible applications:

- Electric locks
- Business equipment
- Computer case lock
- Computer docking station lock
- Business machines
- ATM machines
- Battery operated locks
- Vending equipment
- Medical supply cabinets
- Other



TYPICAL SPECIFICATIONS	
STROKE	.20 INCH (5.1mm)
HOLDING FORCE	1.25 LBS (5.6N)
RESISTANCE @ 20°C	12 OHMS
SUPPLY VOLTAGE	12 OR 24 VDC
DUTY RATING (%ED)	100%
OPERATING TEMPERATURE RANGE	-40 TO 140 °F (-40 TO 60 °C)
SIDE LOAD	>100LBS (220 N)
DURABILITY	>100M CYCLES

PROPRIETARY AND CONFIDENTIAL
 THE INFORMATION CONTAINED IN THIS DRAWING IS THE SOLE PROPERTY OF TLX TECHNOLOGIES. ANY REPRODUCTION IN PART OR AS A WHOLE WITHOUT THE WRITTEN PERMISSION OF TLX TECHNOLOGIES IS PROHIBITED.

UNLESS OTHERWISE SPECIFIED:		NAME	DATE	TLX TECHNOLOGIES
DIMENSIONS ARE IN INCHES		JDM	9/9/9999	
TOLERANCES:		DRAWN		TITLE:
ANGULAR: 1°		CHECKED		BI-DIRECTIONAL LATCHING SLOENOID
TWO PLACE DECIMAL ±.01		ENG APPR.		
THREE PLACE DECIMAL ±.005		MFG APPR.		
INTERPRET GEOMETRIC TOLERANCING PER:		Q.A.		SIZE
MATERIAL		COMMENTS:		B
FINISH				DWG. NO.
DO NOT SCALE DRAWING				98008-WEB
				REV
				SCALE: 1:1
				WEIGHT:
				SHEET 1 OF 1