

98005- Proportional Pressure Reducing/ Relieving Valve

Description

This is a Direct acting continuously variable (proportional) normally open “A” to “T” pressure reducing relieving valve that can be designed to operate over various pressure ranges to optimize controllability.

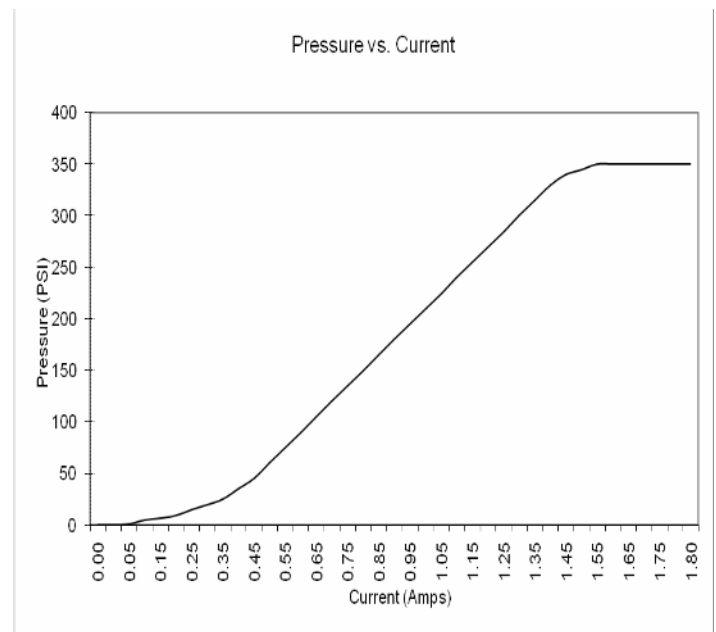
Features:

- Low cost
- Compact Design
- Fast Response
- Low differential pressure in stand-by ranges to optimize controllability
- Can be optimized to configure with customer electronic drivers



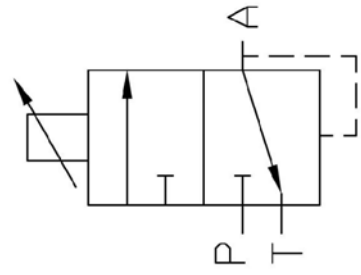
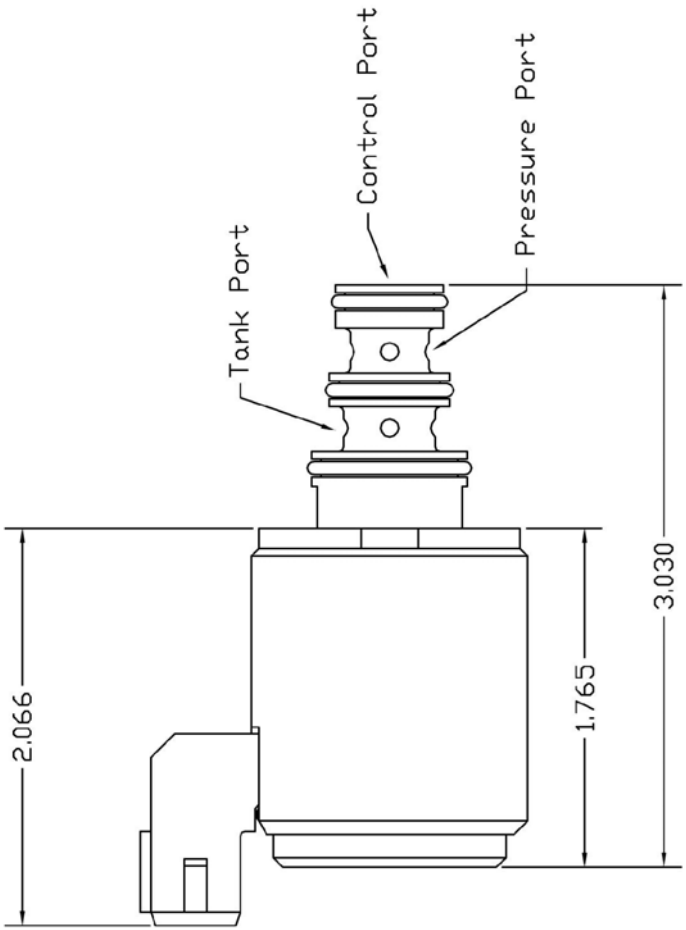
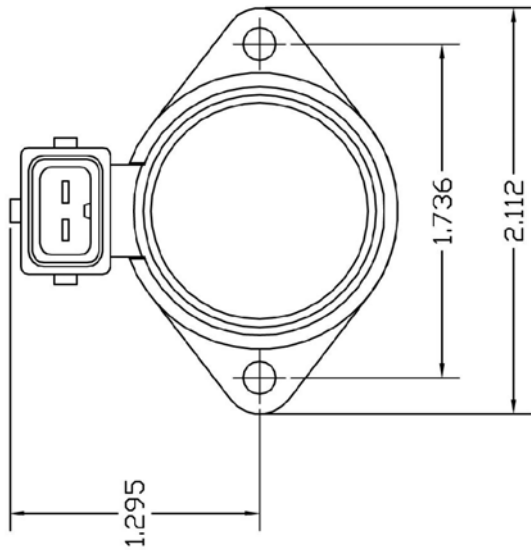
Typical Specifications:

Voltage	12 or 24 VDC
Pressure hysteresis	<5%
Nominal linearity	<2%
Rated operating pressure (“P” and “A” ports)	5000 psi (345 bar)
Rated operating pressure (“T” port)	1000 psi (69 bar)
Operating temperature range	-20 to 250 °F -30 to 120 °C
Pressure drop “P” to “A” and “A” to “T” @ 2.0 gpm	<100 psi (6.9 bar)
Command step response	<60 msec
Connector type	As required
Signal	PWM or DC w/ dither



Possible Applications:

- Off-highway hydraulics
- Auxiliary/ PTO Control
- Turbo charger control
- Variable Valve Timing
- Transmission Valves
- Industrial Controls
- Shift by wire control



SPECIFICATIONS

Material:

Heat Treat:

Remove All Burrs.

CAD File No.

98005-WEB



STANDARD DIMENSIONAL TERMS ARE DIMENSIONS IN () ARE IN mm ANGULAR DIMENSIONS ARE ± 1°
 1 DECIMAL POINT (0.0) IS ± .020
 2 DECIMAL POINT (0.00) IS ± .010
 3 DECIMAL POINT (0.000) IS ± .005
 4 DECIMAL POINT (0.0000) IS ± .0001
 G.D & T PER ANSI 14.5M
 UNLESS SPECIFIED DO NOT SCALE FROM DRAWING

DRG SIZE SCALE 1:1

Drawn By: Drawn Date: CHK By: CHK Date:

TECHNOLOGIES

THIS PRINT AND THE INFORMATION THEREIN IS CONFIDENTIAL AND PROPRIETARY AND IS THE PROPERTY OF TLX Technologies. IT IS NOT TO BE COPIED OR REPRODUCED WITHOUT WRITTEN PERMISSION OF TLX Technologies.

Description

PROPORTIONAL PRESSURE CONTROL VALVE

Drawing Number

98005-WEB