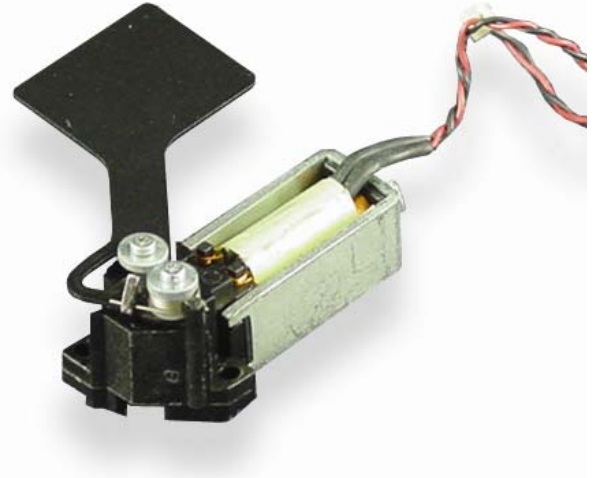


## 04026- Miniature Latching Solenoid for Camera Systems

### Description

Solenoid used to calibrate small digital or infrared camera systems on front and rear facing vehicle detection devices. The solenoid flag temporarily blocks light to the lens providing a known surface texture and color to the lens at which time device calibration takes place.

The product can be fabricated as a constant current or latching solenoid. This solenoid is in an extremely small sized package.



### Features:

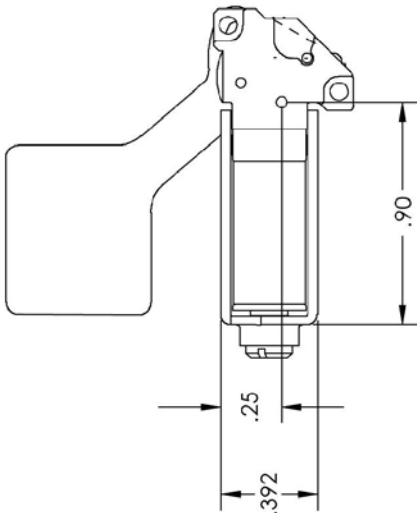
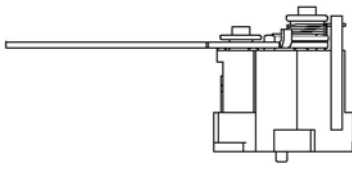
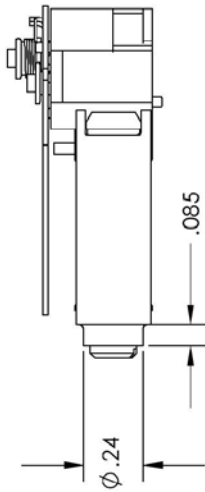
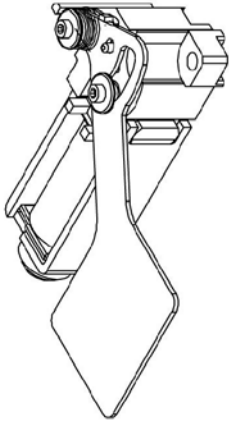
- Compact design
- Low cost
- Can be optimized for specific angle requirements
- High force
- Fast response time

### Typical Specifications:

English (metric as applies)

Movement (can be designed to specification)	40°
Holding force	3 oz (.834 N)
Resistance at 20 °C	8.0 +/- .04Ω
Supply voltage	12VCD
Duty Rating (%ED)	10% ED
Operating temperature range	-40 to 140 °F (-40 to 60 °C)
Response Time	<30 ms
Durability	>10 M Cycles
Connector type	Customer Specified

1 2 3 4 5 6 7 8



**Typical Specifications:**

- Movement (can be designed to specification) 40 °
- Holding force 3 oz (.834 N)
- Resistance at 20 °C 8.0 +/- .04Ω
- Supply voltage 12VDC
- Duty Rating (%ED) 10% ED
- Operating temperature range -40 to 140 °F
- Response Time <30 ms
- Durability >10 M Cycles
- Connector type Customer Specified

UNLESS OTHERWISE SPECIFIED:		NAME	DATE	TLX TECHNOLOGIES	
DIMENSIONS ARE IN INCHES		DRAWN	JRW	5/16/2005	
TOLERANCES:		CHECKED		TITLE:	
ANGULAR: ±		ENG APPR.		Solenoid Shutter	
TWO PLACE DECIMAL ±.01		MFG APPR.		SIZE DWG. NO. REV	
THREE PLACE DECIMAL ±.005		O.A.		B 04026-WEB A	
INTERPRET GEOMETRIC TOLERANCING PER:		COMMENTS:		SCALE: 2:1 WEIGHT: SHEET 1 OF 1	
MATERIAL:					
FINISH:					
DO NOT SCALE DRAWING					

PROPRIETARY AND CONFIDENTIAL  
 THE INFORMATION CONTAINED IN THIS DRAWING IS THE SOLE PROPERTY OF TLX TECHNOLOGIES. ANY REPRODUCTION IN PART OR AS A WHOLE WITHOUT THE WRITTEN PERMISSION OF TLX TECHNOLOGIES IS PROHIBITED.

D C B A