

00007: Three-Position Latching Solenoid

Description:

This is an example of a three position device with spring center and latch to end positions. Strokes and latching force are flexible depending upon solenoid size. The device can use either permanent magnet or residual magnetism.



Features:

- Compact design
- High latching forces
- Fast response
- Low power consumption
- Three positions
- Can be optimized for specific load holding capability
- Can be optimized to configure with customer power requirements

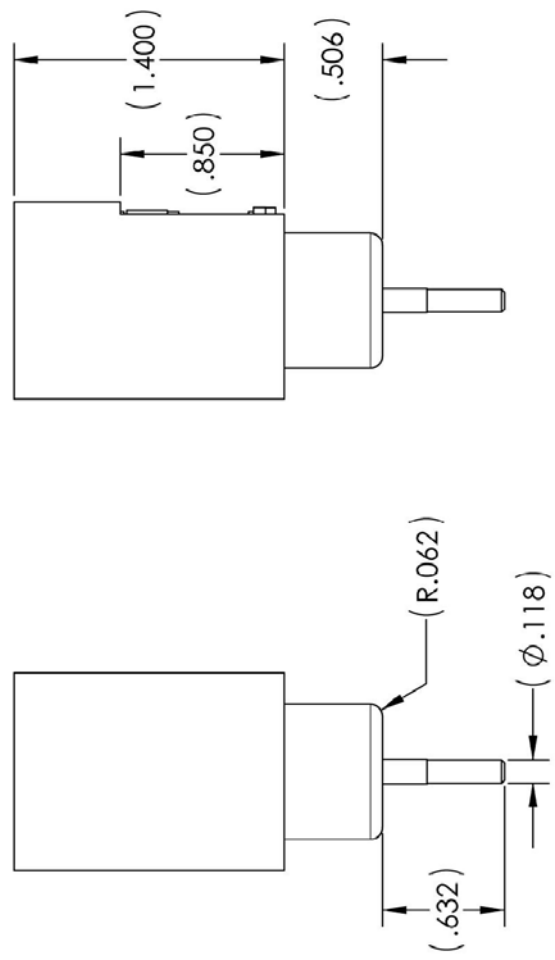
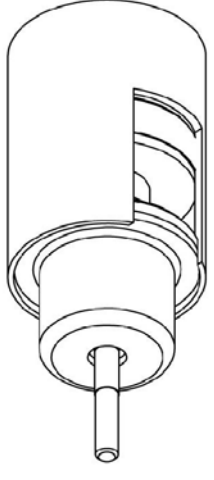
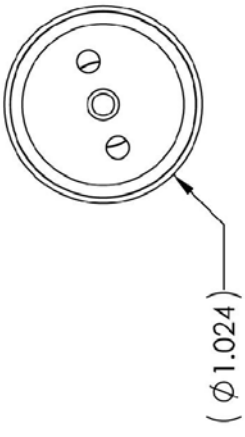
Typical Specifications:

English (metric as applies)

Stroke (can be designed to specification)	<0.25 inch (<6.4 mm)
Latching Force (approx. for size shown)	10 lbs. (44 N)
Response Time	< 8 msec
Centering Force	3 ± 1 lb. (13 ± 4 N)
Current	12 Amps max
Durability	>100M cycles
Coil Resistance at 20°C	5 Ω

Possible applications:

- Door Locks
- Cash Registers
- Security Devices
- Web Controls
- Industrial Textile
- Positions Controls



PERFORMANCE SPECIFICATIONS	
STROKE	< 0.25 inch (<6.4 mm)
LATCHING FORCE	10 lbs. (44 N)
RESPONSE TIME	< 8 msec
CENTERING FORCE	3 ± 1 lb. (13 ± 4 N)
CURRENT	12 amps max
DURABILITY	> 100M cycles
COIL RESISTANCE	5 Ω

UNLESS OTHERWISE SPECIFIED:		NAME	DATE	TLX TECHNOLOGIES
DIMENSIONS ARE IN INCHES		JDM	9/9/9999	TITLE:
TOLERANCES:		DRAWN		THREE POSITION
ANGULAR: 1°		CHECKED		LATCHING SOLENOID
TWO PLACE DECIMAL ±0.1		ENG APPR.		SIZE DWG. NO.
THREE PLACE DECIMAL ±0.05		MFC APPR.		B 00007-WEB
INTERPRET GEOMETRIC TOLERANCING PER MATERIAL		Q.A.		SCALE: 2:1
FINISH		COMMENTS:		WEIGHT:
DO NOT SCALE DRAWING				SHEET 1 OF 1

PROPRIETARY AND CONFIDENTIAL
 THE INFORMATION CONTAINED IN THIS DRAWING IS THE SOLE PROPERTY OF TLX TECHNOLOGIES. ANY REPRODUCTION IN PART OR AS A WHOLE WITHOUT THE WRITTEN PERMISSION OF TLX TECHNOLOGIES IS PROHIBITED.